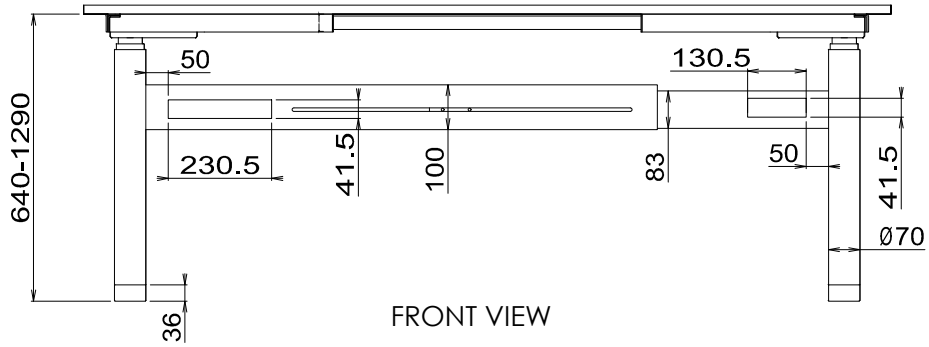
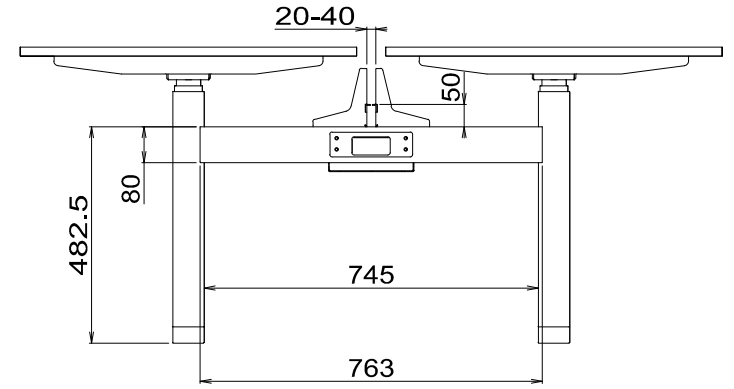


PRODUCT CODE: EDR-B2B
 ASSEMBLED SIZE: -

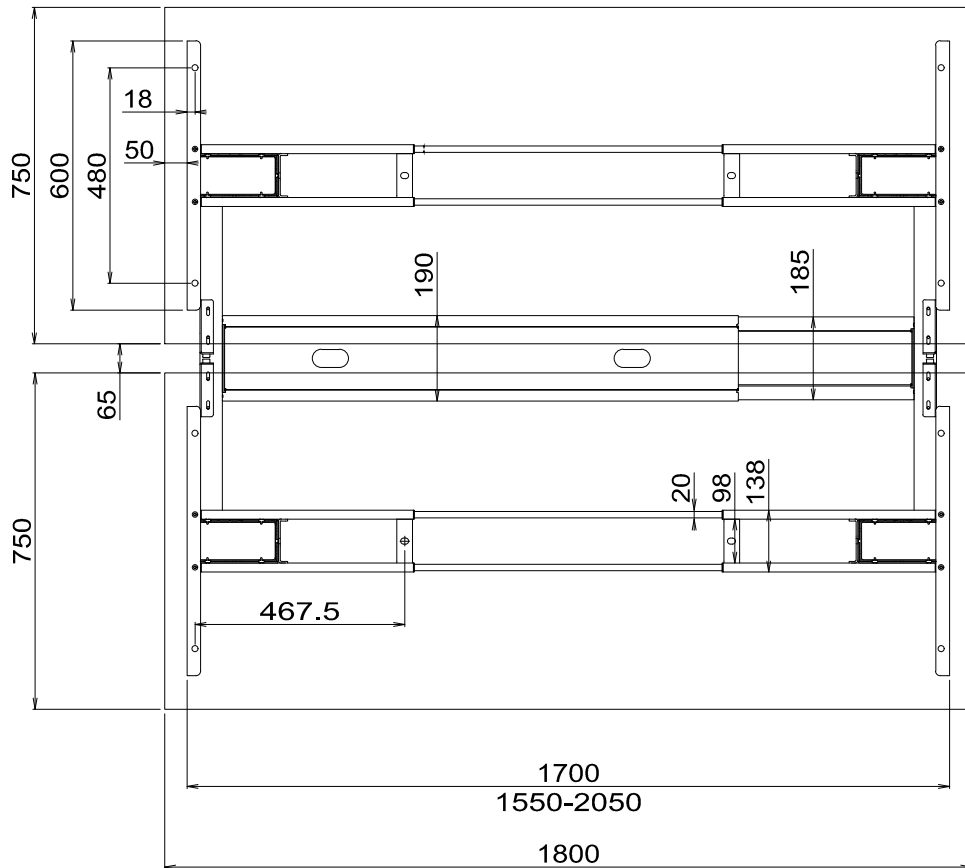
REMARKS: ADJUSTABLE



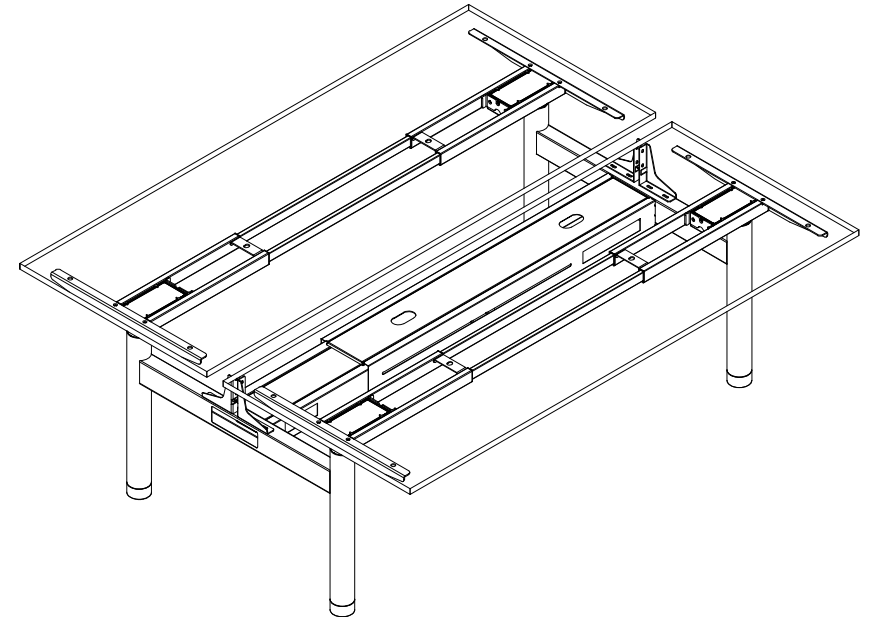
FRONT VIEW



SIDE VIEW



TOP VIEW



ISOMETRIC VIEW