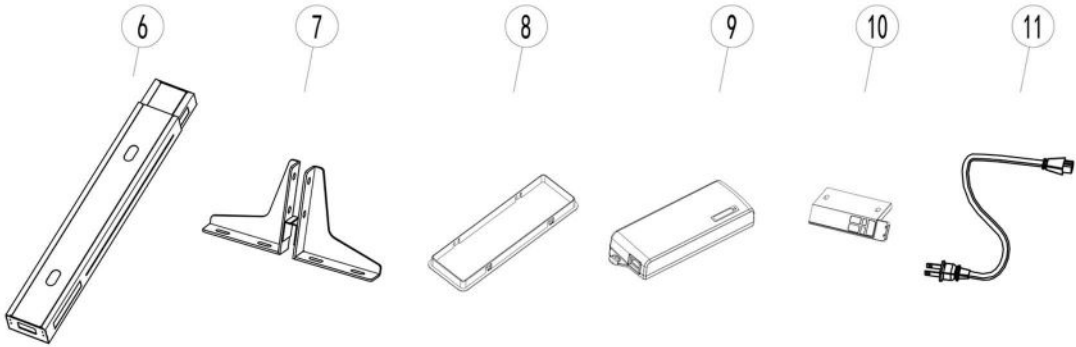
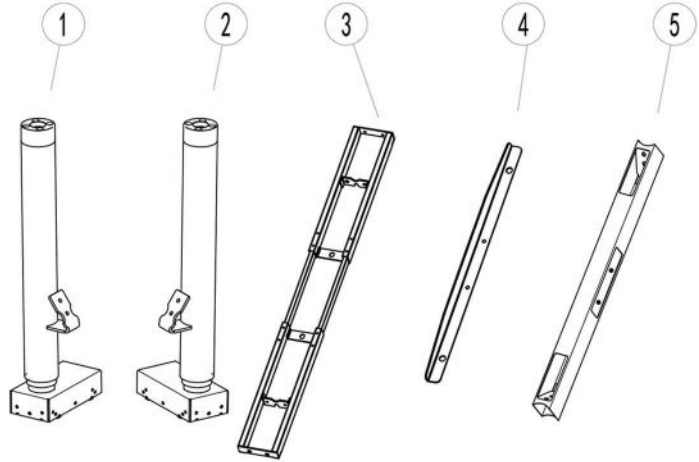


Adjustable Height B2B

EDR-B2B

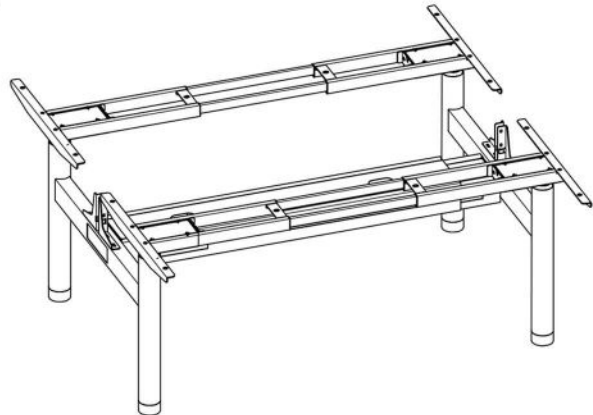
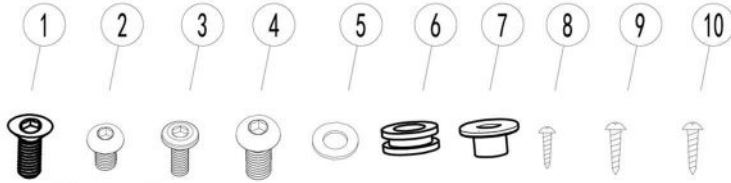
Parts List

NO.	Name	Qty
1	Left leg	2
2	Right leg	2
3	Support beam	2
4	Bracket	4
5	Connection beam	2
6	Cable tray	1
7	Screen clip	2
8	Plastic Lid	2
9	Control Box	2
10	Control Switch	2
11	Power cord	2



Screw bag

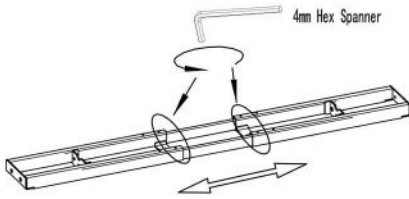
NO.	Name	Qty
1	M6*12 screw	24
2	M6*10 screw	16
3	M6*16 screw	16
4	M8*16 screw	8
5	Gasket8	8
6	Rubber Cushion	12
7	Plastic Pad	12
8	ST3.5*19 Screw	4
9	ST4.8*19 Screw	4
10	ST4.8*25 Screw	12
11	4mm hex spanner	2
12	5mm hex spanner	2



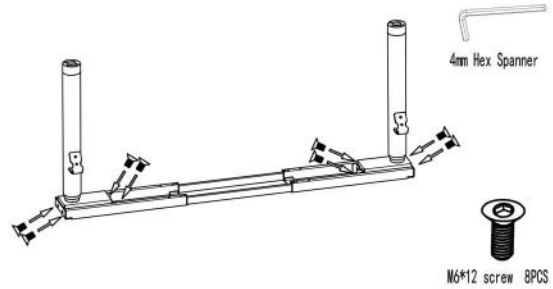
Adjustable Height B2B

EDR-B2B

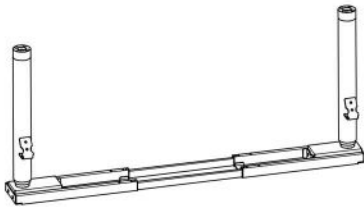
- 1 Loosen the 4 screws of beam using 4MM hex spanner, adjust the beam to proper position to fit the desktop, and then lock the beam using 8 of M6*10 screws.



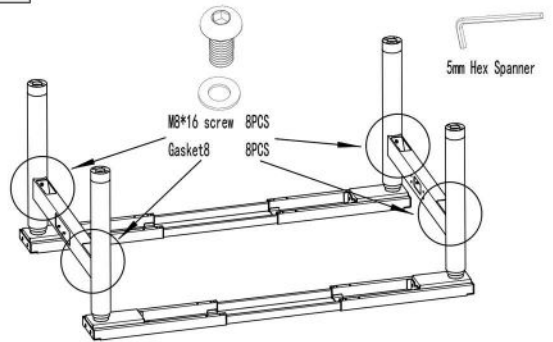
- 2 Attach legs to the beam using 8 of M6*12 screws.



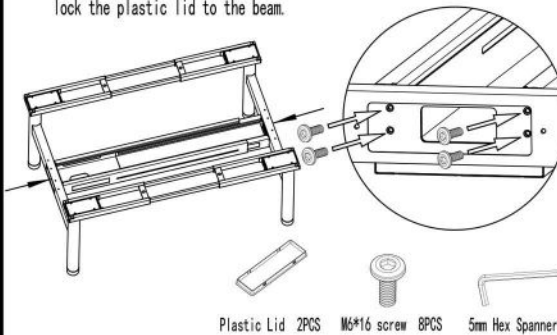
- 3 Assembly another part by the same step.



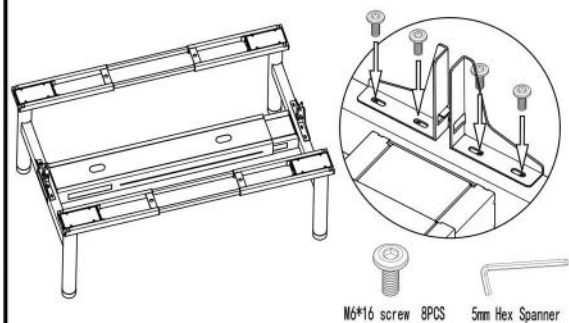
- 4 Attach connection beam to legs using 8 of M8*16 screws and gasket.



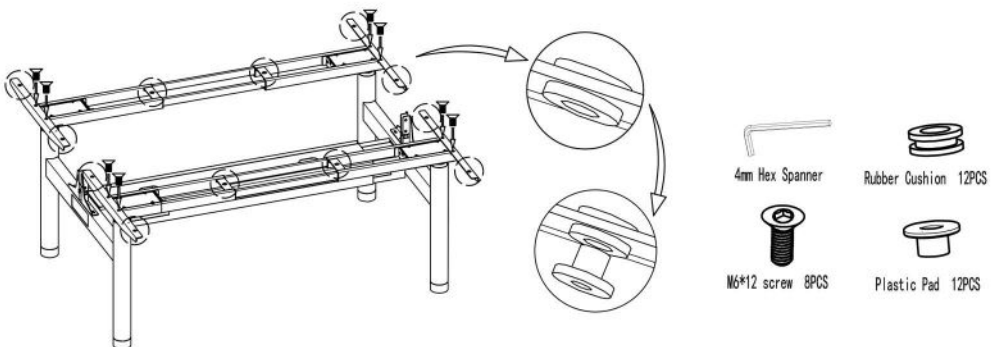
- 5 Attach cable tray to connection beam using 8 of M6*16 screws, and the lock the plastic lid to the beam.



- 6 Attach screen clip to connection beam using 8 of M6*16 screws.



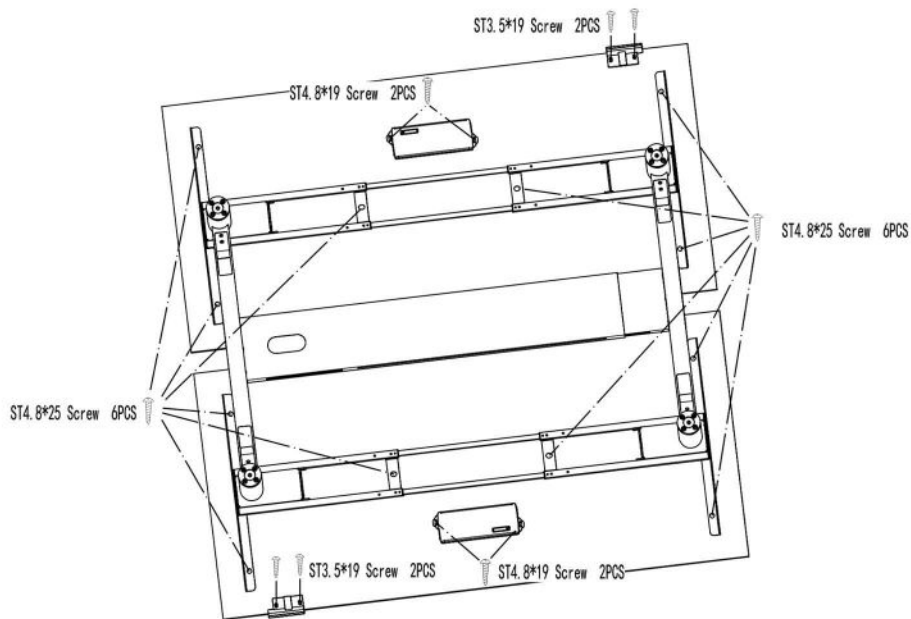
- 7 Attach brackets to beam using 8 of M6*12 screws, and then fit the rubber cushion and plastic pad to the brackets and beams.



Adjustable Height B2B

EDR-B2B

- 8 Fix table top to frames with 12 of ST4.8*25 screws, then fix control boxes to below table top with 4 of ST4.8*19 screws, at last fix handsets to below table top with 4 of ST3.5*19 screws.



- 9 Connect the control box to the handset and to the motor.

